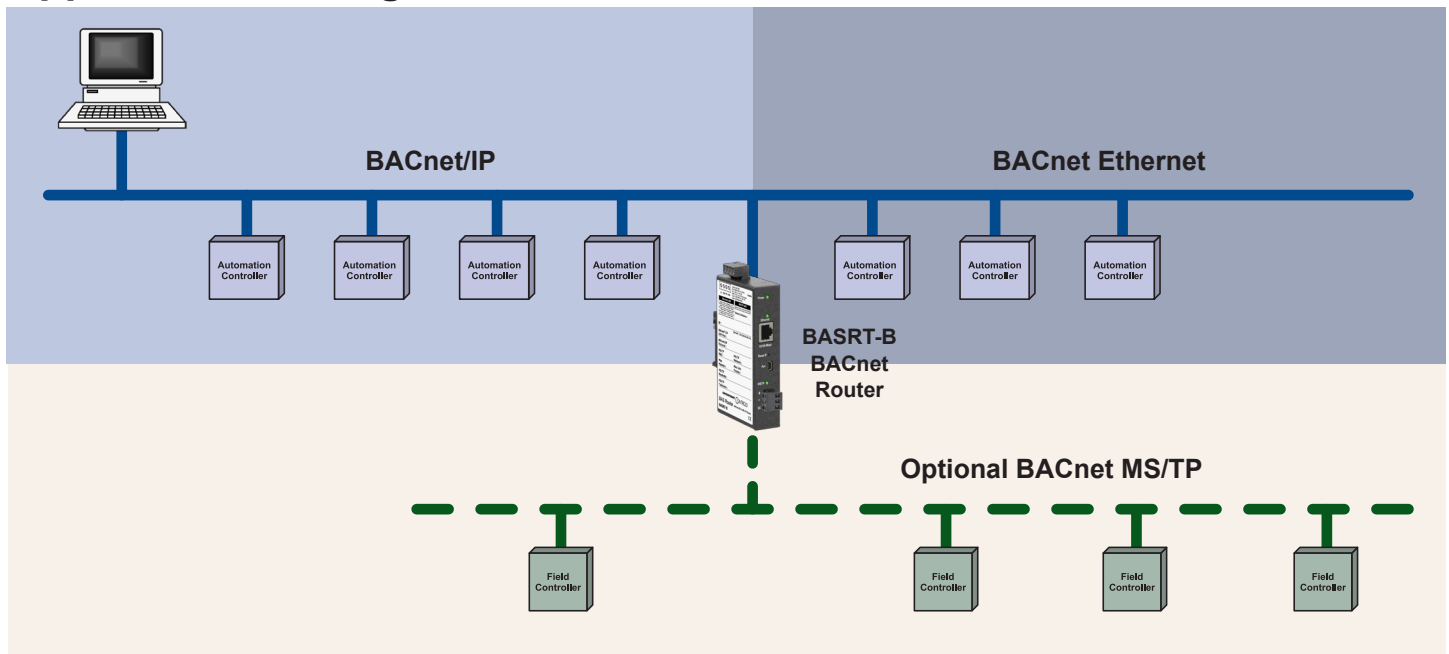


through IP routers. Once the encapsulated messages are received on the remote subnets, a BBMD device will decode the message and resend it on its local subnet as a broadcast message. Therefore it would appear that a BBMD device must be present on each subnet in order to provide this encoding and decoding function. However, this is not the case if all the BACnet/IP devices support Foreign Device

Registration (FDR). At a minimum, one BBMD device is required to be located on one of the subnets with FDR devices registering to this one BBMD. This is what is shown in the example with a BAS Router providing BBMD functionality while allowing for foreign devices registration. Notice that connecting to a BACnet MS/TP network is an option. Two BBMD devices on the same subnet are not allowed.

Application #5 Diagram



Application #6 Diagram

